

## M3 Compression System

### Remote compression latch

#### Features

- Consistent compression driven by rotational rod
- Adjustable grip
- Meets NEMA 4 / IP66 and EMI standards
- Can be driven by hand, tool or key-locking actuators

#### Product Performance

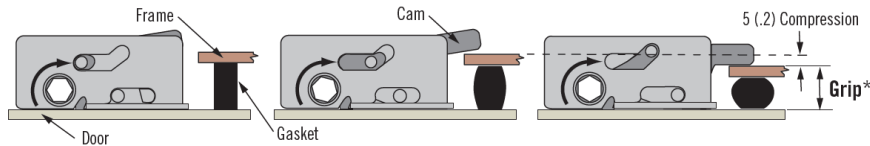
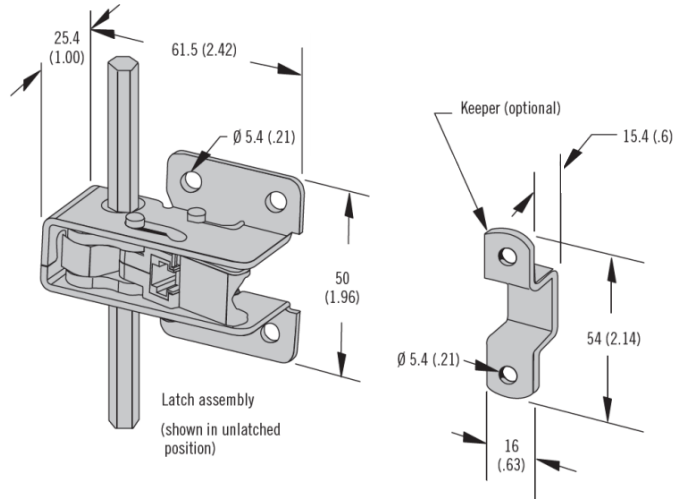
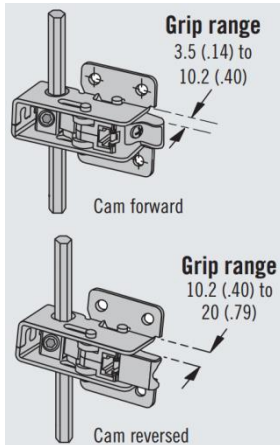
- Max. static load: 890 N per latch
- Average ultimate load: 1,335 N

#### Material

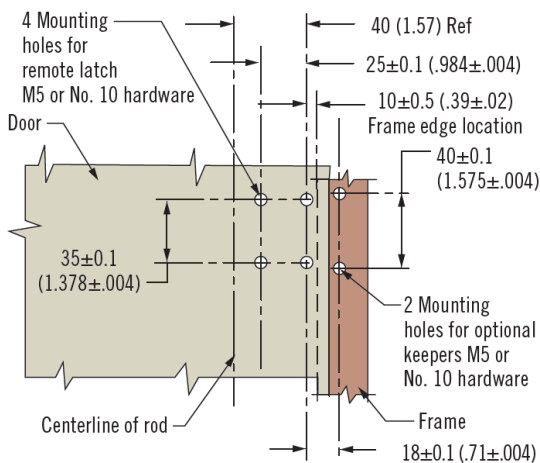
- Zinc alloy and steel, zinc plated

#### Notes

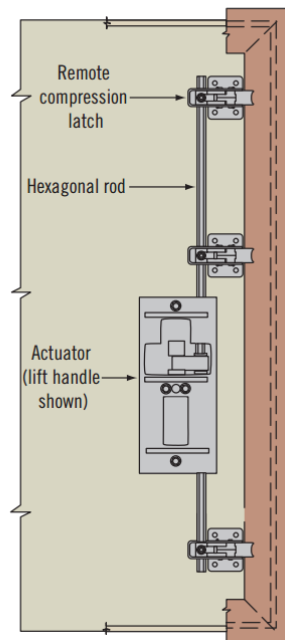
- Do not exceed 20 grip range with cam reversed
- Complete system comprises (all sold separately):
  - Remote compression latch and/or optional keeper
  - Actuator
  - Rods



\* Measure your **Grip** from the latch mounting surface to the inside frame surface, with gasket compressed



#### Inside view



Part Number	
Remote compression latch	M3-50
Keeper (optional) use for grip ranges 15 - 30 (.59 - 1.18)	M3-51

## M3 Compression System

### Actuators - Lift handle

#### Features

- Suitable for left and right side latching
- Meets NEMA 4/ IP66 and EMI standards
- Ejecting handle

#### Material

- Zinc alloy black powder coated and steel, zinc plated

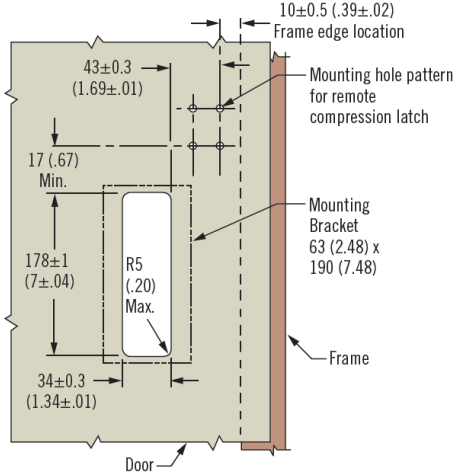
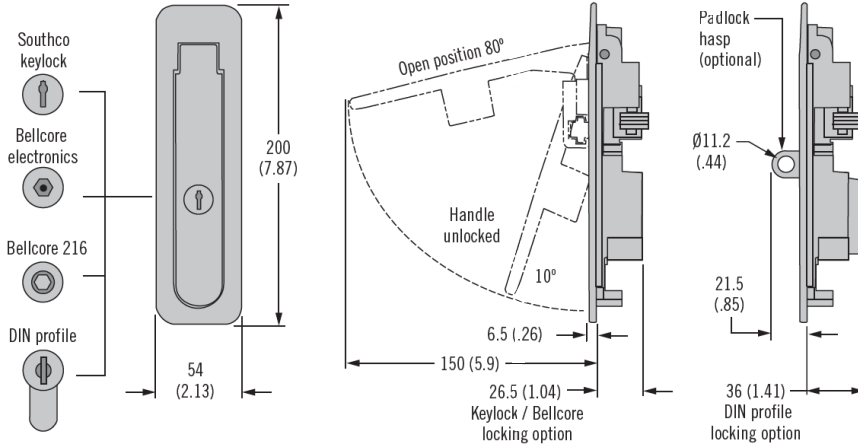
#### Notes

- NEMA 4 / IP66 achieved using gasket supplied
- DIN profile key part: M3-0-36406
- Complete system comprises (all sold separately):
  - Remote compression latch and/or optional keeper
  - Actuator
  - Rods



#### Lift Handle

Locking options



- P** Padlock option
- 0 Non padlock
  - 1 Padlockable

- D** Door thickness range
- 10 1.5 - 3 (.06 - .12)
  - 11 3 - 4.5 (.12 - .18)
  - 25 24 - 25.5 (.94 - 1.0)

M3 - 40 - **L** **P** - **D**

- L** Lock style
- 10 Key-locking keyed alike CH751 (two keys supplied)
  - 11 DIN profile supplied keyed alike 347876 (three keys supplied)
  - 12 DIN lock CH751
  - 13 Push button
  - 16 Bellcore 216
  - 17 Bellcore electronics

southco®

We are proud to be Southco's  
authorized distributor of over 20 years

## M3 Compression System

### Actuators - Push-button handle

#### Features

- Suitable for left and right side latching

#### Material

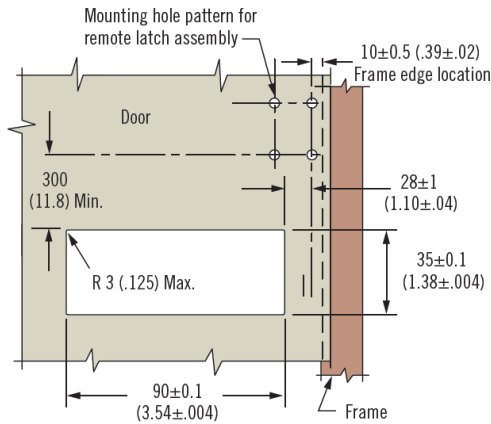
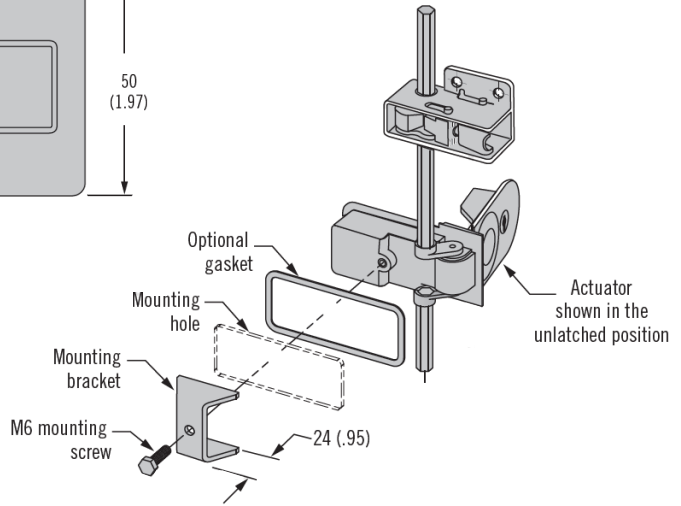
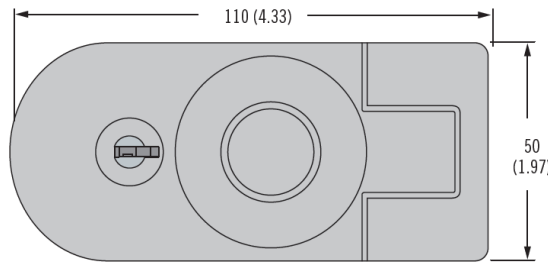
- Zinc alloy, black powder coated and steel, zinc plated

#### Notes

- NEMA 4 / IP66 achieved using optional gaskets (ordered separately)
- Complete system comprises (all sold separately):
  - Remote compression latch and/or optional keeper
  - Actuator
  - Rods



#### Push-Button Handle



Actuator	Door Thickness Range	Part Number
Push-button handle	0 - 5 (0 - .20)	M3-90
	5 - 10 (.20 - .39)	M3-92
Push-button handle with key-lock	0 - 5 (0 - .20)	M3-91
	5 - 10 (.20 - .39)	M3-93

Sealing Gasket Part Number
C5-82

## M3 Compression System

Actuators - Paddle handle

### Features

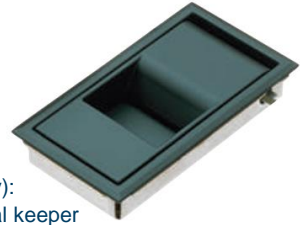
- Suitable for left and right side latching

### Material

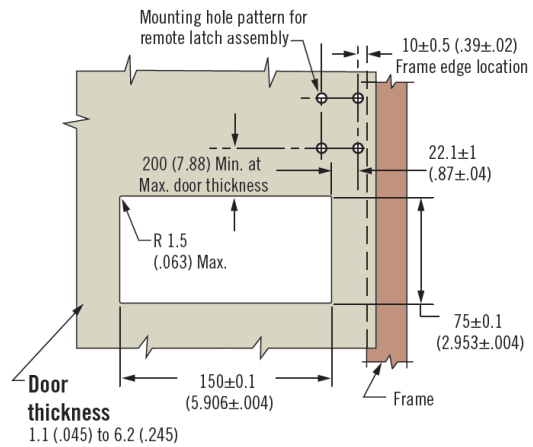
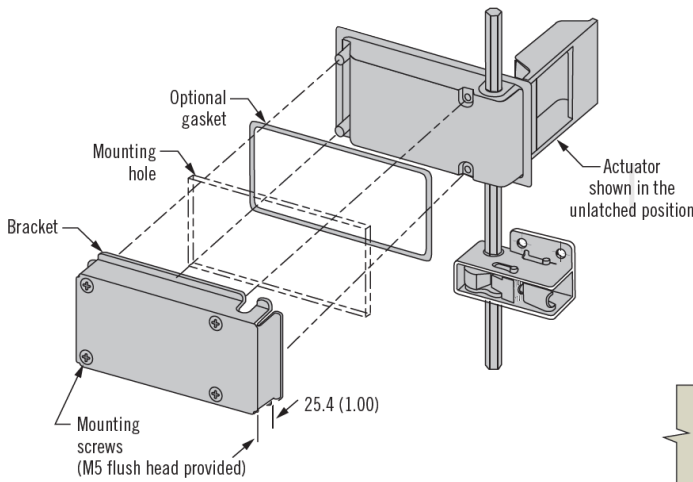
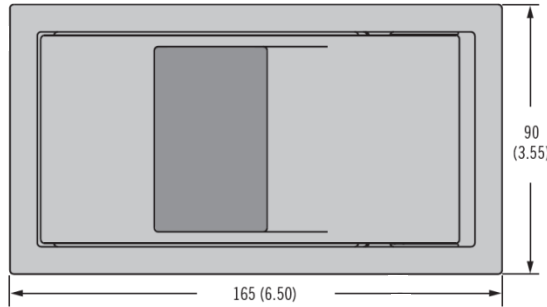
- Zinc alloy, black powder coated and steel, zinc plated

### Notes

- NEMA 4 / IP66 achieved using gasket supplied
- DIN profile key part: M3-0-36406
- Complete system comprises (all sold separately):
  - Remote compression latch and/or optional keeper
  - Actuator
  - Rods



Paddle Handle



Actuator	Part Number
Paddle (includes bracket and screws)	M3-10
Paddle with key-lock (includes bracket and screws)	M3-17

Gasket Type	Part Number
Environmental	M3-12
EMC	M3-13

## M3 Compression System

Actuators · Door edge lever · Concealed

### Features

- Simple actuator for top or bottom of door

### Material

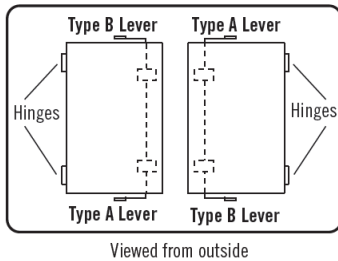
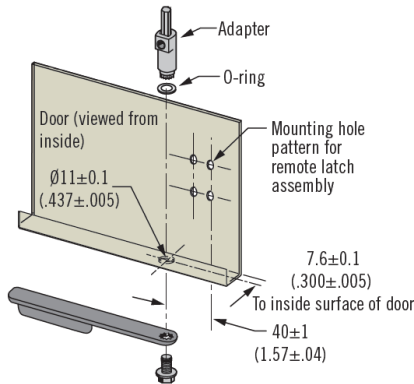
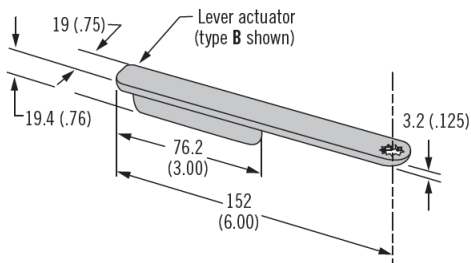
- Door edge lever: Zinc alloy, black powder coated and steel, zinc plated
- Adaptor: Zinc alloy, chemical protective film
- Concealed: Zinc alloy, chemical protective film

### Notes

- Concealed: Operated by 8mm hex wrench (not supplied)
- Complete system comprises (all sold separately):
  - Remote compression latch and/or optional keeper
  - Actuator
  - Rods

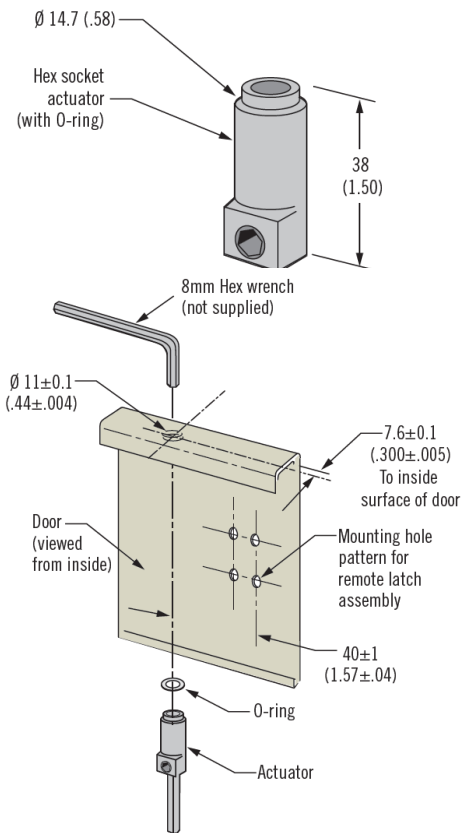


### Door Edge Lever



Actuator	Type	Part Number
Lever (includes adapter and O-ring)	A	M3-31
	B	M3-32

### Concealed



Actuator	Part Number
Hex socket with O-ring seal	M3-30

## M3 Compression System

### Rods and calculator

#### Material

- Stainless steel, natural

#### Notes

- If you choose to use your own rods, they should have no more than 1 degree of twist in any meter length
- Complete system comprises (all sold separately):
  - Remote compression latch and/or optional keeper
  - Actuator
  - Rods



### Hexagonal Rod

Hex Rod Length	Part Number	
Hex rods (length measured in centimeters)	125 cm	M3-125
	155 cm	M3-155
	185 cm	M3-185

#### Calculation Notes

- To determine rod length per actuator:
  - **For lift and paddle handle**
    - Use centre to centre distance between farthest remote latches
    - Add 2cm
  - **For push button handle**
    - 2 rods are required
    - Use the distance from centreline of actuator to centreline of farthest latch assembly
    - Top and bottom rods may be different length
  - **For door edge lever and 8mm hex socket**
    - Use the distance between the door edge and the centreline of the farthest latch
- Once you have completed the calculation please order the following parts:
  - 1 x Actuator
  - 1 or 2 rods to correct length
  - Number of compression latches determined from calculation

#### Calculator

To determine the minimum number of remote compression latches you require along the door edge:

$$N = \frac{L \times R}{470}$$

N = Number of compression latches along door edge (rounded to the nearest whole number)  
 L = Total length of gasketing material in millimeters  
 R = Gasket compression rate in N / mm

Example:  $\frac{5200 \text{ mm} \times 0.3 \text{ N / mm}}{470} = 3.28 = 3 \text{ latches}$

Remote compression latches should be evenly spaced along edge of door

southco®

We are proud to be Southco's authorized distributor of over 20 years